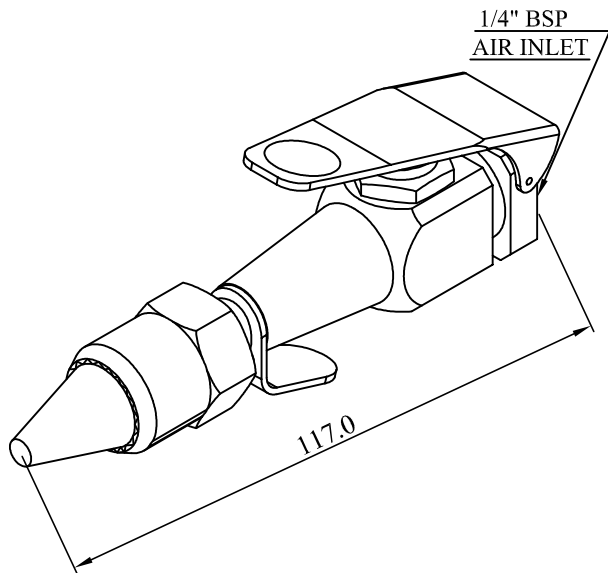


Push Button Blowgun With
Nex Flow Model 47003 Nozzle



Lever Type Blowgun
Push Button Blowgun With
Nex Flow Model 47003 Nozzle

AIR BLOWGUN WITH NEX FLOW 47003 NOZZLE

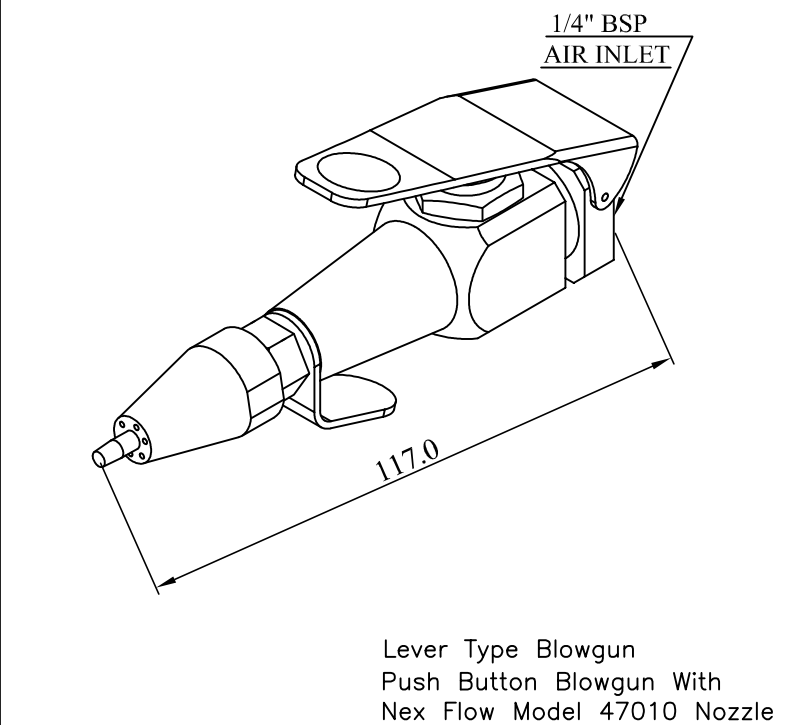
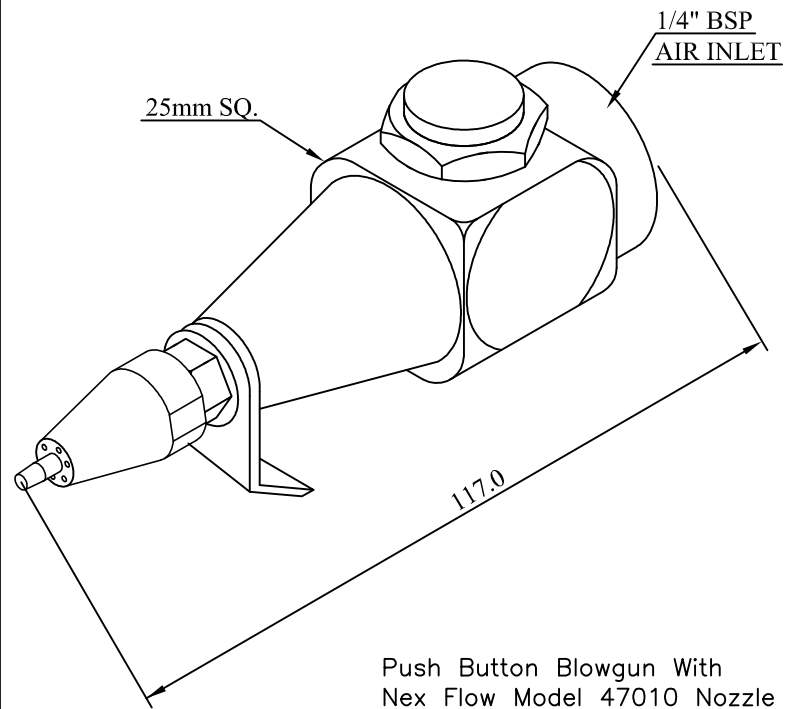
APPLICATION : For Blowing of dirt, dust, oil etc. from shop floor, surfaces, machine working area, deep holes, crevices, geometric patterns, etc. and any hard to reach places.

CONSTRUCTION : Rugged construction, built to last. These Blowguns are machined from solid Aluminium bar-stock with all other parts of Brass. Due to its ergonomic design the Blowgun easily fits in the palm of the operator's hand. Even continuous operation does not cause any fatigue to the operator. Pre-attached With Air Amplification Nozzle Model 47003

MATERIAL OF CONSTRUCTION :

Body	→ Bar Stock Aluminium
Nozzle, Plunger & Nut	→ Brass
Seals & 'O' Ring	→ Nitrile Rubber (Viton can be made available for special cases, at extra cost.)
Nozzle	→ AL/SS.304/SS.316L

OPERATING CONDITION : Clean dry Air at 2Kg/Cm² to 8Kg/Cm²



AIR BLOWGUN WITH NEX FLOW 47010 NOZZLE

APPLICATION : For Blowing of dirt, dust, oil etc. from shop floor, surfaces, machine working area, deep holes, crevices, geometric patterns, etc. and any hard to reach places.

CONSTRUCTION : Rugged construction, built to last. These Blowguns are machined from solid Aluminium bar-stock with all other parts of Brass. Due to its ergonomic design the Blowgun easily fits in the palm of the operator's hand. Even continuous operation does not cause any fatigue to the operator. Pre-attached With Air Amplification Nozzle Model 47010

MATERIAL OF CONSTRUCTION :

Body	→ Bar Stock Aluminium
Nozzle, Plunger & Nut	→ Brass
Seals & 'O' Ring	→ Nitrile Rubber (Viton can be made available for special cases, at extra cost.)
Nozzle	→ Anodized Aluminium

OPERATING CONDITION : Clean dry Air at 2Kg/Cm² to 8Kg/Cm²