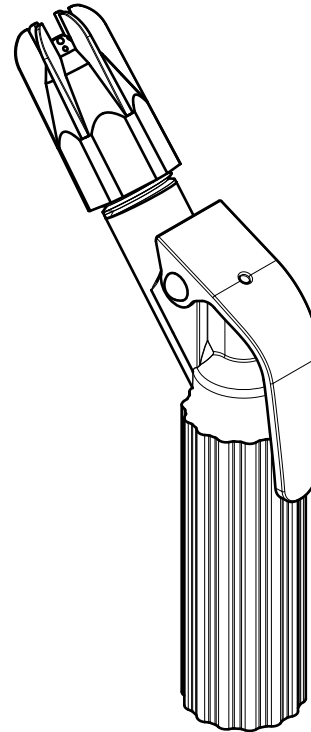
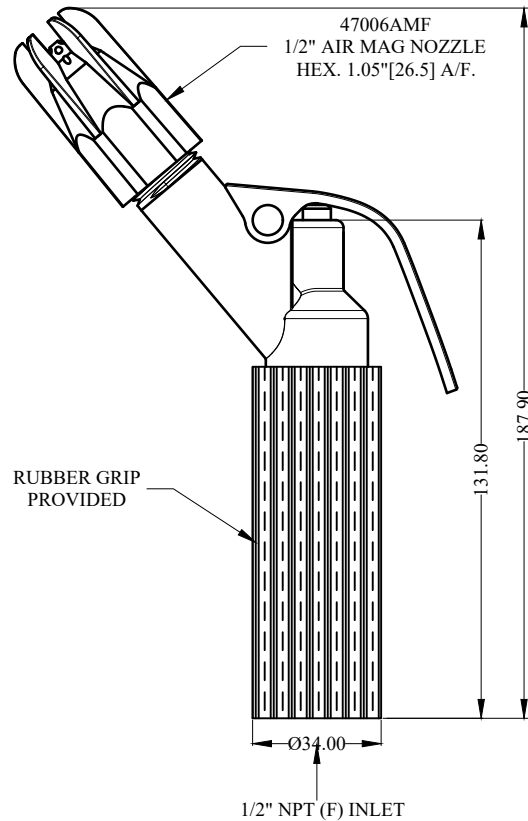


HIGH FLOW AIR GUN WITH STAR NOZZLE



APPLICATION

- Used widely for Blow-off of dirt, dust, oil etc from shop floor, machine working area, deep holes, crevices, geometric patterns, etc. & any hard to reach places.
- Better operator control because of push button operation. Increasing safety & reducing compressed air wastage.

SPECIAL FEATURES

- These high flow blow guns with Nexflow™ Air Mag Nozzles are very efficient. They have a higher Force to Flow ratio.

CONSTRUCTION

- These Blowguns are made of Cast Zinc, thus making them rugged & built to last.
- Ergonomic handle & trigger design. Even continuous operation does not cause any fatigue to the operator.
- Nitrile Rubber Grip is provided to ensure operator's comfort & avoid slippage.

MATERIAL OF CONSTRUCTION

- Body → Cast Zinc Alloy
- Internals → Chrome Plated Brass
- Lever → M.S. Chrome Plated
- Seals & 'O' Ring → Brown Viton
- Spring → Steel Spring
- Air Mag Nozzle → Cast Zinc

OPERATING CONDITION

- Clean Dry Compressed Air from 1 Bar to 10 Bar
- Air Consumption at 6 Bar : 67 SCFM
- Air Inlet : 1/2" NPT (F).