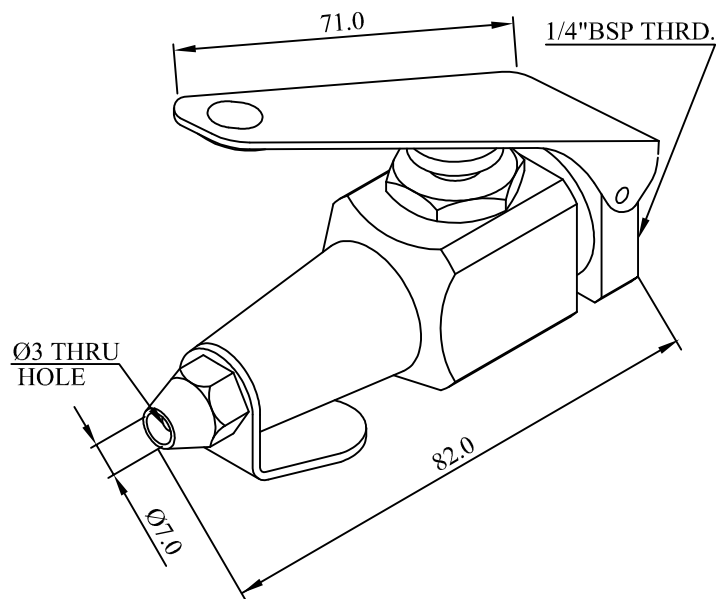


AIR BLOWGUN WITH LEVER



APPLICATION For Blow-off of dirt, dust, oil etc. from shop floor, surfaces, machine working area, deep holes, crevices, geometric patterns, etc. and any hard to reach places.

CONSTRUCTION : Rugged construction, built to last. These Blowguns are machined from solid Aluminium bar-stock with all other parts of Brass.

Due to its ergonomic design the Blowgun easily fits in the palm of the operator's hand. Even continuous operation does not cause any fatigue to the operator.

MATERIAL OF CONSTRUCTION :

Body	→ Bar Stock Aluminium
Plunger & Nut	→ Brass
Nozzle	→ Combination of S.S.304 & Brass

Seals & 'O' Ring → Nitrile Rubber
(Viton can be made available for special cases, at extra cost.)

OPERATING CONDITION : Clean dry Air at 2Kg/Cm² to 8Kg/Cm²