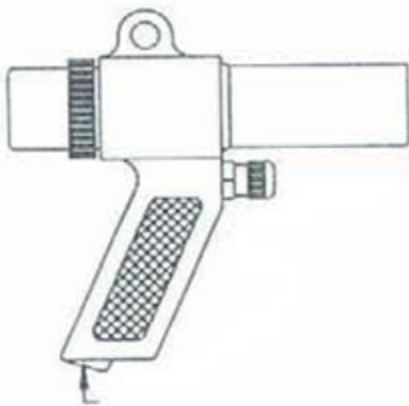


X-STREAM HAND VAC INSTALLATION & MAINTENANCE

Maintaining Optimum Performance

Filtration to maintain clean air is necessary at a rate of 25 microns or less. Nex Flow™ filters use five micron filtration elements and are properly sized for the X-Stream Hand Vac. If oil can be a problem, use an oil removal filter. Filter should be close to the Hand Vac (within 10 to 15 feet (3 to 4.6 meters)).

The compressed air lines should be sized to keep pressure drop to a minimum. Recommended air hose (not included) is 1/4" I.D. up to 10 feet (3 meters), and 3/8" I.D. hose up to 25 feet (7.6 meters). Do not use restrictive fittings that may cause excessive pressure drop in the air line.



Model 36001
X-STREAM
HAND-VAC



Model 0009263
19" (48.3 cm)
Straight Ext. Wand
(two per kit) –supplied
with all kits



Model 0027874
Brush attachment –
supplied with all kits



Model 0002247 reusable
Collection bag with zipper
And hose clamp supplied
Supplied with Collection
System and with All
Purpose System



Model 7546637
Skimmer Tool –
supplied with all kits



Model 4673283 10 foot (3 m)
Vacuum Hose with cuffs both
Ends and hose clamp – Supplied
With Transfer System and
All Purpose System



Model 3738423
Crevice Tool –
supplied with all kits

SYSTEM MODELS: Collection System – Model 36011
 Transfer System - Model 36012
 All Purpose System – Model 36012

HOW THE X-STREAM HAND VAC OPERATES:

The compressed air power source exhausts through a series of small holes that produce a series of high velocity air jets. These air jets induce a mass flow of surrounding air in large volume converting the jet velocity into large mass flow and producing a concentrated air blast at the exhaust end, and excellent vacuum at the inlet end.

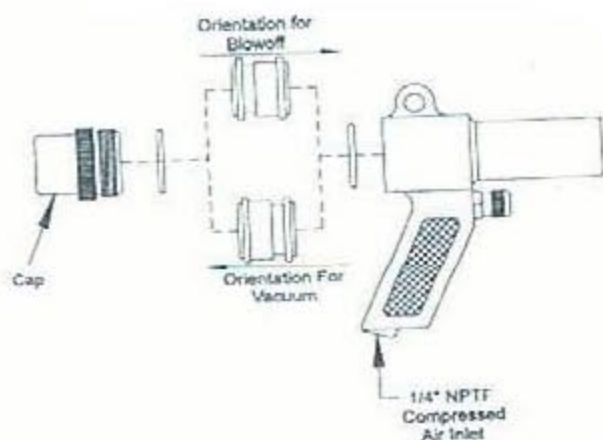
USING THE X-STREAM HAND VAC

Set the ducted hose supplied or the reusable collection bag to the knurled nut when used for suction to avoid possible danger. Do become familiar with the internals of the X-stream Hand Vac. The internal nozzle "ring" determines which end produces the blowoff and the other (opposite) end produces the vacuum. To change the flow direction unscrew the knurled nut, remove the nozzle ring and re-install the ring so as the holes "point" in the direction of desired flow. There is an O-ring on each end of the nozzle ring that you need to include. For transfer of dust, small items, fumes, etc. attach the transfer hose to either end (or both ends) of the X-Stream Hand Vac.

WARNING – DO NOT USE WITH ANY MATERIAL THAT CAN CREATE A POTENTIAL EXPLOSIVE MIXTURE.

TROUBLESHOOTING & MAINTENANCE

If the suction or blowing force seems low, check the pressure by installing a gage at the compressed air inlet of the Hand Vac. Large pressure drops may occur from undersized air lines, restrictions from certain fittings, and possibly clogged filter elements. These should be checked. If contaminants have clogged the Hand Vac itself, simply disassemble the unit. It consists of three (3) parts – the body, the internal nozzle ring, and a knurled cap which holds the ring in position. Clean each part with a mild solvent and clean cloth. Reassemble and make certain the O-rings are installed as well at each end of the nozzle ring. Make sure that the holes of the ring point in the direction of desired flow. Always clean the vacuum hose, or reusable collection bag and all attachments after every use.



If you have any questions, please contact the factory or your nearest distributor.

Leading Technology Into The Future
NEX FLOW™
Technologies Inc.

USA & CANADA
Tel: (877) 797-2777
Fax: (877) 797-2660

INTERNATIONAL
Tel: (416) 410-1313
Fax: (416) 410-1806

INTERNET
Sales@nexflowair.com
www.nexflowair.com