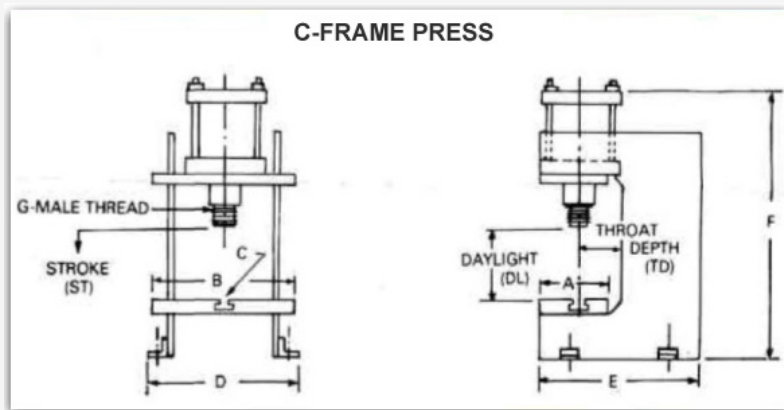


# Pneumatic Press

## C Frame Press



### Introduction:

These presses are available in range of Tonnage, Stroke, Daylight & Base Area combinations. Conventional type of presses are suitable for jobs requiring uniform load throughout the stroke. Such applications are Pressing, Assembling, Deep Drawing, Broaching etc. Impact types of presses are designed to produce heavy Impact Blow suitable for Marketing, Rivetting, Punching, Staking, Pressing, Coining, Piercing, Perforating, Blanking, Sizing etc. 'C' frame being The most popular design offering three clear working sides is suitable for most applications. This presses have all steel welded construction for sturdiness. The baseplate is ground and have T slots for easy mounting of tooling. Ram has male threads for direct mounting of tooling. Standard operation is either by hand or foot operated valve with silencer cum speed control Valve for easy and independent speed control of working and return strokes. Variety of options as described further on can be incorporated at special request.

Push Force Kg.	Consumption SI / Cycle	Stroke (ST)	Day Light (DL)	Throat Depth (TD)	Dimensions (mm)						
					Base Plate			Over All Size			Ram size
					A	B	C	D	E	F	G
250	5.80	100	150	100	150	200	10	220	275	577	M20
500	15.90	150	200	125	200	300	10	250	375	727	M20
1000	44.00	150	200	125	200	300	12	300	425	815	M24
1800	78.00	200	250	150	250	350	12	400	575	1064	M30
3000	120.00	200	250	150	350	425	12	460	575	1124	M42
4000	173.00	200	250	150	350	425	12	530	575	1124	M42
<b>IMPACT</b>											
1000	4.40	65	200	125	200	300	12	220	425	850	M20
3500	10.60	65	250	150	250	350	12	300	700	1027	M20

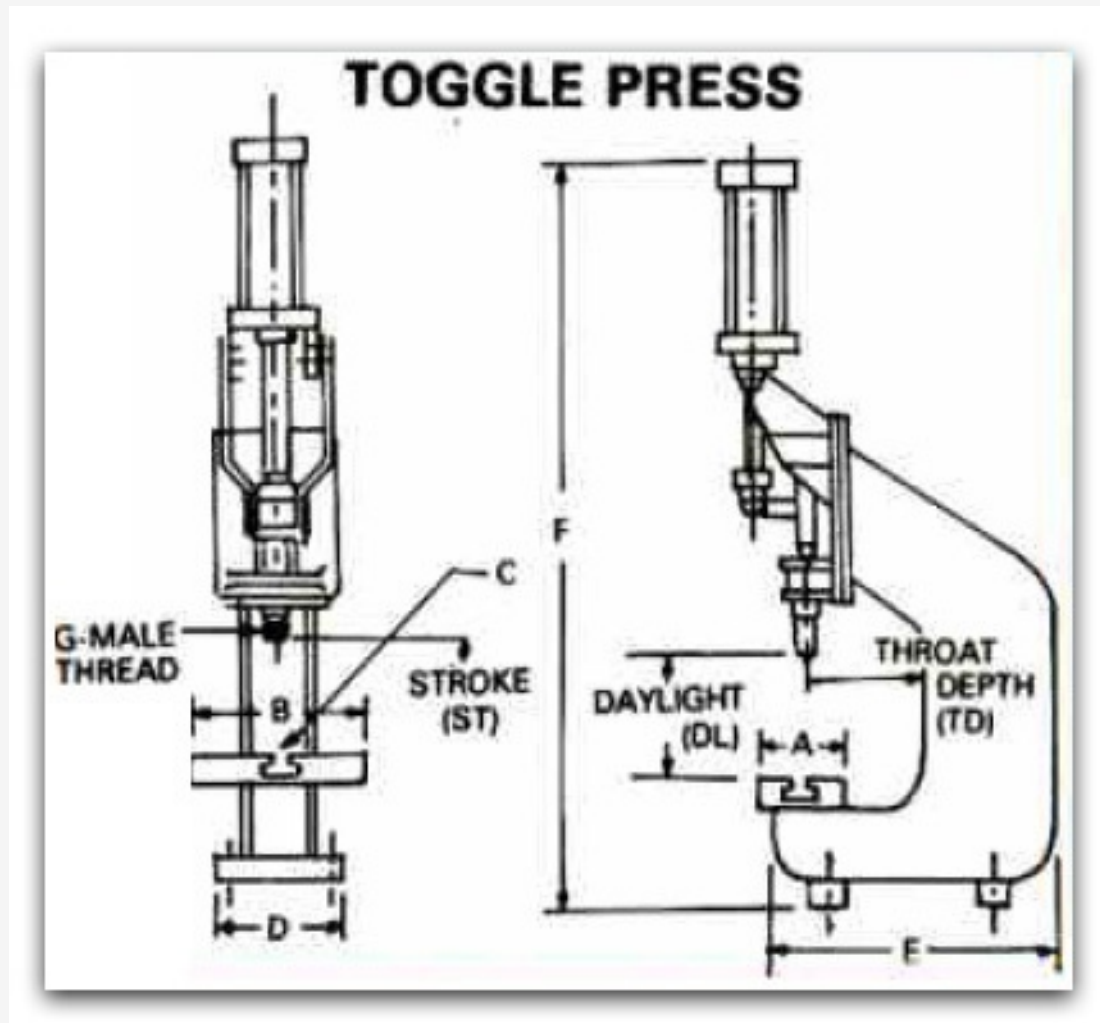
# Toggle Type Pneumatic Presses & Vises

## Introduction :

These ruggedly built presses and vises deliver very high force throughout the stroke with maximum force at the end. This is made possible by gaining mechanical advantage from Toggle linkage. Such force pattern makes these presses ideal for jobs like Blanking, Bending, Notching, Perforating, Rivetting, Marking, Coining, Stamping, Crimping, Perforating etc.

Frame is of rugged design with all pivot bushes and pins made from Wear resisting, Hardened & Ground Alloy Steel. Ram movement is fully guided in close tolerance bushes. Other general features are same as 'C' frame type pneumatic presses.

Same Toggle type at construction is incorporated In pneumatic vises for clamping, jobs for Milling, Drilling, Assembling etc.

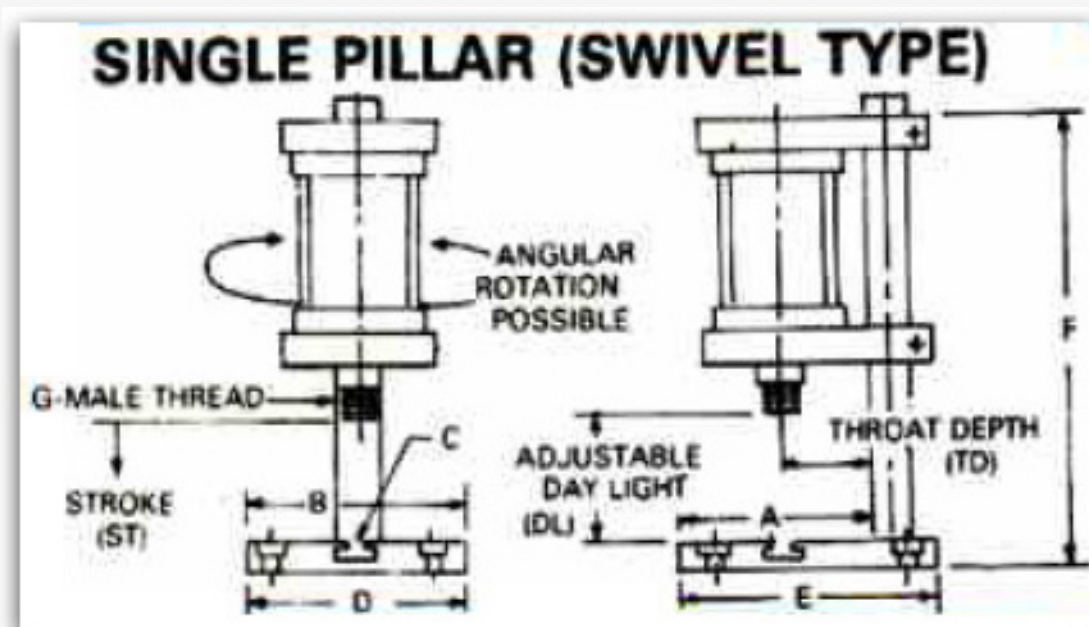


Push Force Kg.	Consumption SI / Cycle	Stroke (ST)	Day Light (DL)	Throat Depth (TD)	Dimensions(mm)						
					Base Plate			Over All Size			Ram size
					A	B	C	D	E	F	G
1000	5	25	150	100	150	250	12	150	350	850	M20
3500	22	25	250	150	250	400	12	250	500	1100	M24

## Single pillar (Swivel Type) Pneumatic Presses

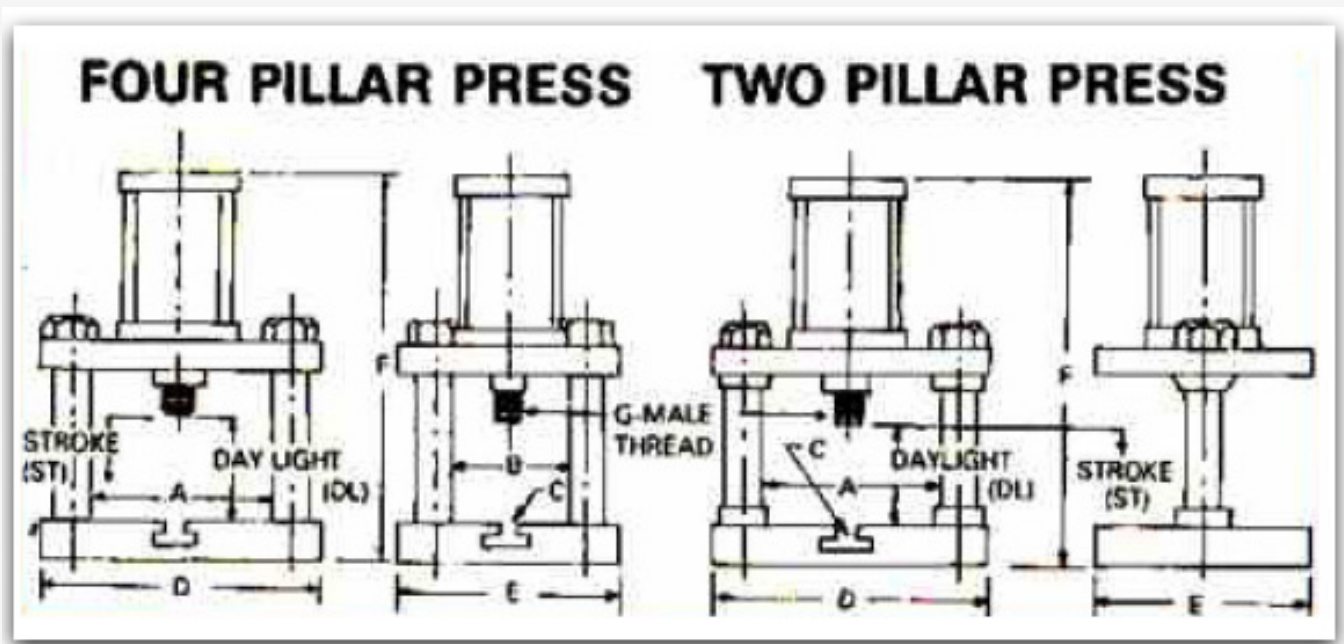
These small capacity presses features free rotation (SWIVEL) and daylight adjustment making it possible to adopt it to number of different settings for variety of jobs.

They are ideally suitable for electronic industries for Small Rivetting, Assembly, Compacting, Punching, Pressing, Crimping, Flaring, Forming etc. Other general features are same as 'C' Frame type pneumatic presses.



Push Force Kg.	Consumption SI / Cycle	Stroke (ST)	adjustable day light (dl)	Throat Depth (TD)	Dimensions(mm)						
					Base Plate			Over All Size			Ram size
					A	B	C	D	E	F	G
250	4.40	75	0-150	75	175	175	10	175	255	487	M20
500	10.60	100	0-150	75	175	175	10	175	255	512	M20

# Two and Four Pillar Type Conventional and Impact Pneumatic Presses



## Introduction:

Like 'C' frame types presses these presses are also available in variety or combinations of Tonnage, Stroke, Daylight and Base Area. These presses are sturdier offering no Deflection of frame over number of cycles at High Loads. Yet they are Economical because of its Simplicity in design. They can be used for almost any application and offers same general features as 'C' frame Type presses.

Push Force Kg.	Consumption SI / Cycle	Stroke (ST)	Day Light (DL)	Dimensions (mm)						
				Base Plate			Over All Size			ram size
				A	B	C	D	E	F	
<b>Two Pillar (Conventional)</b>										
250	5.80	100	150	200	-	10	276	150	477	M20
500	15.90	150	150	300	-	10	376	200	577	M20
1000	44.00	150	200	300	-	12	376	200	615	M24
<b>Four Pillar (Conventional)</b>										
1800	78.00	200	250	250	350	12	326	426	764	M30
3000	120.00	200	250	425	350	12	501	426	824	M42
4000	173.00	200	250	425	350	12	501	426	824	M42
<b>Four Pillar (Impact)</b>										
1000	4.40	65	200	300	200	12	376	276	650	M20
3500	10.60	65	250	350	250	12	426	326	727	M20

\*ALL SPECIFICATION SUBJECT TO CHANGE WITHOUT NOTICE.

## Option Available

- Daylight, Stroke, Base Area and Base Plate Construction To Suit Customers Requirements
- Air Filter, Pressure Regulator, Lubricator
- Pressure Gauge Calibrated In Actual Load Being Applied
- Protection Guard With or Without Interlocking
- Punch Holder To Suit Customers Requirement
- Ram Rotation Prevention Device
- Two Hand Safety Control Box
- Quick Return
- Variety of Actuating Valves For Manual, Pilot or Electrical Actuation
- Sequencing Units, Timers and Other Accessories